

# CS5000-IPMPX-PTZ-133



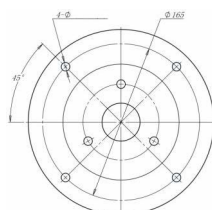
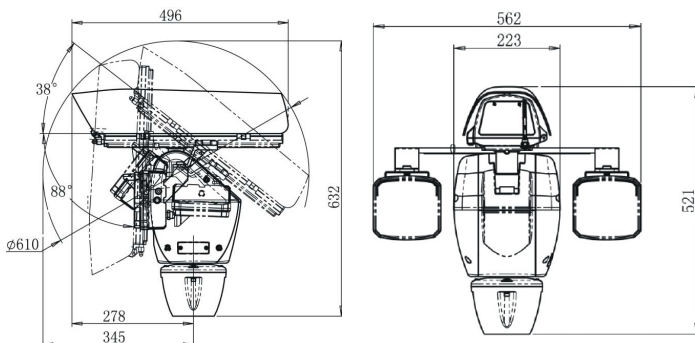
Industrial Ultra Low Latency and Low Energy Consumption IP PTZ 33X Zoom 3 MP Camera



## Features

- Multiple Progressive Scan CMOS Sensor 3MPx
- Multi Exposure HDR
- Multi Codec support (H.265 / H.264 / MJPEG)
- Ultra Low Latency Streaming <130ms
- Quad Streams support
- Wiper with Nanotechnology Glass
- True Day/Night function (ICR)
- 3D Motion Compensated Noise Reduction
- Smart Event function- External Output/ Motion Detection/ Network Failure/ Detection/ Tampering Alarm/ Periodical Event/ Manual Trigger/ Audio Detection
- ONVIF Profile S/G/Q support
- Smart Low Bitrate control
- Optional IR or White lamps with Nanotechnology
- 256 preset positions
- Preset positions accuracy  $\pm 0.02^\circ$
- $360^\circ$  horizontal rotation at up to  $0.1^\circ - 100^\circ/s$
- $-88^\circ - +38^\circ$  vertical rotation at up to  $0.1^\circ - 100^\circ/s$
- 485 two-way transmission signal, the support of radar, intelligent
- Optional high precision preset position
- Protection class IP67 (Nema 4X)
- Support the standby power consumption is low than 5W
- Heater & Fan Built-in
- AC24V & DC24V double power input
- Can be working under the winds speed does not big than 144 kilometers;
- Can be bear the biggest winds speed 208 kilometers
- Industrial Small Factor SFP Fiber Option

## Dimensions



Camera	
Image Sensor	Sony 3M 1/2.8" Progressive CMOS
Effective Pixels	HxV = 2065x1553(3M)
Scanning System	Multiple Progressive Scan Cmos
Electronic Shutter Speed	1-1/10K sec.
Min. Illumination	Color: 0.04 lux
	B/W: 0.002lux
Pixel Size	2.5 $\mu$ m
Camera Features	
Day/Night	Auto(ICR) / Color / B/W
Wide Dynamic Range/HDR	Yes
EIS	Yes
White Balance	Auto, ATW, Indoor, Outdoor, Manual
Corridor Mode	$90^\circ$ , $180^\circ$ , $270^\circ$ rotation
Noise Reduction	3D DNR
Zoom	33x Optical // 10x Digital
Lens	
Focal Length	4.6 ~ 152 mm
Focus Control	Auto / Manual Focus, Zoom, P-Iris, Auto-Iris, F1.6
Angle of View	H: $52^\circ - 3^\circ$ // V: $27^\circ - 2^\circ$
PTZ	
Pan Rotation Range	$0^\circ - 360^\circ$ continuous
Tilt Rotation Range	$-88^\circ - +38^\circ$
Pan Speed	$0.1^\circ - 100^\circ/s$
Tilt Speed	$0.1^\circ - 100^\circ/s$
Preset	255
Preset Accuracy	$0.02^\circ$
Scan Group	8/6
Wiper	Yes
Heater & Fan	Auto
Relay AUX Output	2
Video	
Compression	H.264/H.265/MJPEG
Resolution	3M(2048x1536) / 1080P(1920x1080) / 720P(1280x720) / D1(704x576/704x480) / CIF(352x288/352x240)
Frame Rate	Main stream: 3M/1080p/720P (60/30fps)
	Substream: 1080p/720p (28fps)
Bit Rate	64Kbps-10240Kbps
Network	
Ethernet	RJ-45 (10/100Base-T) / SFP CISCO Compatible Option
Protocol	ARP, PPPoE, IPv4/v6, ICMP, IGMP, QoS, TCP, UDP,DHCP, UPnP, SNMP, SMTP, RTP, RTSP, HTTP/S
ONVIF	Profile S/G/Q
Security	User Authentication/HTTPS/IP Filter/IEEE 802.1x
General	
Power Supply	AC 24V - DC 24V
Power Consumption	<25W (Heater and LED lamps Off)
Application	Industrial
Working Temperature	$-30^\circ\text{C} - 60^\circ\text{C}$
Working Humidity	$\leq 90\%$ RH (No condensing, no heating)
Protection Level	IP67 (NEMA 4X)
Dimensions	223x591x496 (W+H+L) Without IR // 562x591x496 (W+H+L) With IR
Material	Aluminum
Weight	20kgs

## Models

- **CS5000-IPMPX-133-LC**  
CS5000-IPMPX PTZ 33X Zoom, Wiper, Nanotechnology Window for extra Dust and Oil Protection, Low Energy Consumption Series.
- **CS5000-IPMPX-133-LC-LL**  
CS5000-IPMPX PTZ 33X Zoom, Wiper, Nanotechnology Window for extra Dust and Oil Protection, Low Energy Consumption and Ultra Low Latency Video Stream Series.

## Accessories

- **CS5000-IPMPX-TPA**  
CS5000-IPMPX Series Standard Top Pole Mount Adapter, Aluminium.
- **CS5000-IPMPX-WMA**  
CS5000-IPMPX Series Standard Wall Mount Adapter, Aluminium.
- **CS5000-IPMPX-PMA**  
CS5000-IPMPX Series Standard Pole Mount Adapter, Aluminium, Stainless Steel Clamps, Payload 25 Kg -- (CS5000-IPMPX-WMA is Required)
- **CS5000-IPMPX-IR**  
CS5000-IPMPX Series Standard IR Illuminator Kit with double (2) 150 mt illuminators with Nanotechnology and standard CS5000-IPMPX-IR Bracket Adapter
- **CS5000-IPMPX-SFP**  
CS5000-IPMPX Series Standard SFP Option



For more information, please visit [www.movisight.com](http://www.movisight.com)