

CS5000-IPMPX-PTZ-142



Industrial IP PTZ 42X Zoom 2 MP Starlight Camera Low Energy Consumption

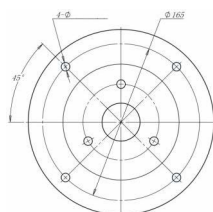
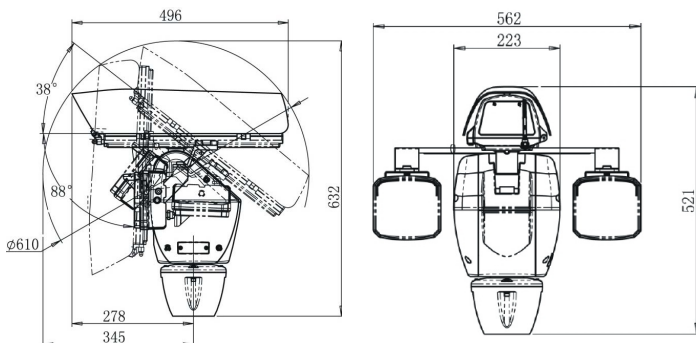


Features

- Multiple Progressive Scan CMOS Sensor 2 MPx
- Multi Exposure HDR
- Multi Codec support (H.265 / H.264 / MJPEG)
- Wiper with Nanotechnology Glass
- True Day/Night function (ICR)
- 3D Motion Compensated Noise Reduction
- ONVIF Profile S/G/Q support
- Smart Low Bitrate control
- Optional IR or White Lamps
- 256 preset positions
- Preset positions accuracy $\pm 0.02^\circ$
- 360° horizontal rotation
- Optional high precision preset position
- Protection class IP67 (Nema 4X)
- Support the standby power consumption is low than 5W
- Heater & Fan Built-in
- AC24V Power Input
- Can be working under the winds speed does not big than 144 kilometers;
- Can be bear the biggest winds speed 208 kilometers
- Industrial Small Factor SFP Fiber Option

Camera	
Image Sensor	1/2.8" Sony CMOS 2MP
Effective Pixels	HxV = 1945 (H) x1225(V) (2MP)
Scanning System	Multiple Progressive Scan Cmos
Electronic Shutter Speed	1-1/10K sec.
Min. Illumination	Color: 0.005Lux/F1.6 B/W: 0.0005Lux/F1.6
Pixel Size	2.5 μ m
Camera Features	
Day/Night	Auto(ICR) / Color / B/W
Wide Dynamic Range/HDR	Yes
EIS	Yes
White Balance	Auto, ATW, Indoor, Outdoor, Manual
Corridor Mode	90°, 180°, 270° rotation
Noise Reduction	3D DNR
Zoom	42x Optical // 4x Digital
Lens	
Focal Length	7mm-300mm, 42x Optical Zoom
Focus Control	Auto / Manual Focus, Zoom, P-Iris, Auto-Iris, F1.6
Angle of View	42° ~ 1.2°
PTZ	
Pan Rotation Range	0° ~ 360° continuous
Tilt Rotation Range	-88° ~ +38°
Pan Speed	0.1° ~ 100° /s
Tilt Speed	0.1° ~ 100° /s
Preset	255
Preset Accuracy	0.02°
Scan Group	8/6
Wiper	Yes
Heater & Fan	Auto
Relay AUX Output	2
Video	
Compression	H.264/H.265/MJPEG
Resolution	2 MP 1945 (H) x1225(V)
Frame Rate	Main stream: 1080p/720P (30fps)
Bit Rate	64Kbps-10240Kbps
Network	
Ethernet	RJ-45 (10/100Base-T) / SFP CISCO Compatible Option
Protocol	ARP, PPPoE, IPv4/v6, ICMP, IGMP, QoS, TCP, UDP,DHCP, UPnP, SNMP, SMTP, RTP, RTSP, HTTP/S
ONVIF	Profile S/G/Q
Security	User Authentication/HTTPS/IP Filter/IEEE 802.1x
General	
Power Supply	AC 24V - DC 24V
Power Consumption	<25W (Heater and LED lamps Off)
Application	Industrial
Working Temperature	-30°C ~ 60°C
Working Humidity	$\leq 90\%$ RH (No condensing, no heating)
Protection Level	IP67 (NEMA 4X)
Dimensions	223x591x496 (W+H+L) Without IR // 562x591x496 (W+H+L) With IR
Material	Aluminum
Weight	20kgs

Dimensions



Models

- **CS5000-IPMPX-142-LC**
CS5000-IPMPX PTZ 42X Zoom, Wiper, Nanotechnology Window for extra Dust and Oil Protection, Low Energy Consumption Series.
- **CS5000-IPMPX-142-LC-LL**
CS5000-IPMPX PTZ 42X Zoom, Wiper, Nanotechnology Window for extra Dust and Oil Protection, Low Energy Consumption and Ultra Low Latency Video Stream Series.

Accessories

- **CS5000-IPMPX-TPA**
CS5000-IPMPX Series Standard Top Pole Mount Adapter, Aluminium.
- **CS5000-IPMPX-WMA**
CS5000-IPMPX Series Standard Wall Mount Adapter, Aluminium.
- **CS5000-IPMPX-PMA**
CS5000-IPMPX Series Standard Pole Mount Adapter, Aluminium, Stainless Steel Clamps, Payload 25 Kg -- (CS5000-IPMPX-WMA is Required)
- **CS5000-IPMPX-IR**
CS5000-IPMPX Series Standard IR Illuminator Kit with double (2) 150 mt illuminators with Nanotechnology and standard CS5000-IPMPX-IR Bracket Adapter
- **CS5000-IPMPX-SFP**
CS5000-IPMPX Series Standard SFP Option



For more information, please visit www.movisight.com