

# MoviSight

MS7005SL-MBU-IR

## 5MP Motorized Starlight IR Bullet Camera



### KEY FEATURES

- Full Metal Housing
- Motorized Lens 2.8-12mm
- Up to 2592x1944@20fps
- S+265/H.265/H.264
- Min. illumination Color: 0.002Lux@F1.6
- 120dB WDR
- Smart IR, IR Range: 80m
- Support tripwire and perimeter
- Built-in Mic, SD Card Slot, Reset Button
- Operating Conditions -40°C~60°C, 0~95% RH
- POE, IP67

# MoviSight

## SPECIFICATIONS

### Camera

<b>Image Sensor</b>	1/2.8" CMOS
<b>Signal System</b>	PAL/NTSC
<b>Min. Illumination</b>	Color: 0.002Lux@ (F1.6, AGC ON), B/W: 0Lux with IR
<b>Shutter Time</b>	1s to 1/100,000s
<b>Day &amp; Night</b>	Dual IR Cut Filter with Auto Switch
<b>Wide Dynamic Range</b>	120dB
<b>Angle Adjustment</b>	Bracket, pan 0~360°, tilt 0~75°, rotate 0~360°

### Lens

<b>Lens Type</b>	Motorized
<b>Focus</b>	2.8-12mm
<b>Lens Mount</b>	Φ14
<b>Aperture</b>	F1.6~F3.3, Fixed
<b>FOV</b>	Horizontal field of view: 96.8°~32.7°

### Illuminator

<b>IR LEDs</b>	4
<b>IR Range</b>	Up to 80m
<b>Wavelength</b>	850nm
<b>White LEDs/Warmlights</b>	N/A

### Compression Standard

<b>Video Compression</b>	S+265/H.265/H.264
<b>Video Bit Rate</b>	32Kbps~6Mbps
<b>Audio Compression</b>	G.711/G.711U/ADPCM
<b>Audio Bit Rate</b>	8K~48Kbps

### Image

<b>Max. Resolution</b>	2592×1944
<b>Main Stream</b>	PAL: 20fps (2592×1944, 2592×1520), 25fps (2560×1440, 2304×1296, 1920×1080, 1280×720) NTSC: 20fps (2592×1944, 2592×1520), 25fps (2560×1440), 30fps (2304×1296, 1920×1080, 1280×720)
<b>Sub Stream</b>	PAL: 25fps (704×576, 704×288, 640×360, 352×288) NTSC: 30fps (704×480, 704×240, 640×360, 352×240)
<b>Third Stream</b>	N/A
<b>Image Setting</b>	Saturation, brightness, contrast, sharpness, adjustable by client software or web browser
<b>Image Enhancement</b>	BLC/3D DNR/HLC
<b>ROI</b>	N/A
<b>OSD</b>	16×16, 32×32, 48×48, 64×64, adaptable size, Letters Such as Week, Date, Time, Total 3 Regions
<b>Picture Overlay</b>	N/A
<b>Privacy Mask</b>	Yes, 4 regions
<b>Smart Defog</b>	Yes

### Feature

<b>Alarm Trigger</b>	Motion Detection, Mask Alarm, IP Address Conflict
<b>Video Analytics</b>	Tripwire, Perimeter
<b>Early Warning(EW)</b>	N/A

# MoviSight

## Network

<b>ANR</b>	N/A
<b>Protocols</b>	TCP/IP, HTTP, FTP, DHCP, DNS, DDNS, IPV4, NTP, UDP, Telnet, ICMP, RTP, RTSP, UPnP
<b>System Compatibility</b>	ONVIF (PROFILE S/T/G), SDK, CGI (IE), P2P(Mutually exclusive with Profile G)
<b>Remote Connection</b>	≤7
<b>Client</b>	MoviSight
<b>Web Version</b>	Web5

## Interface

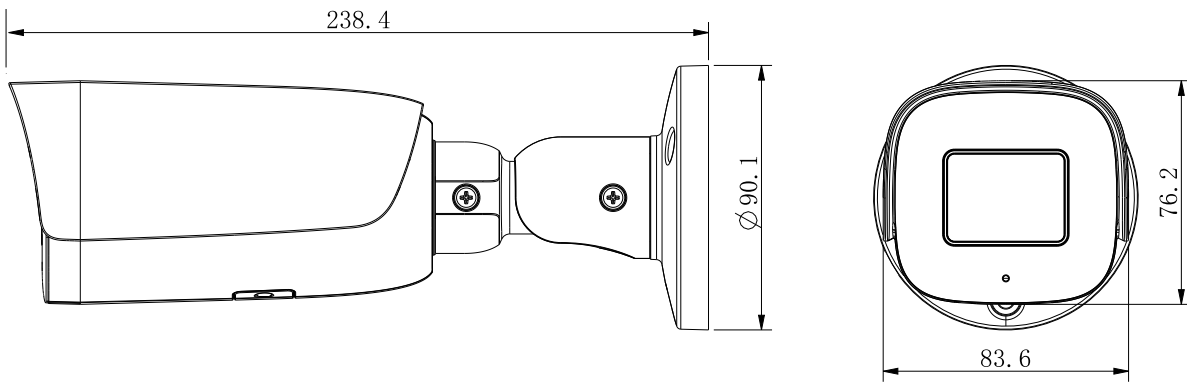
<b>Communication Interface</b>	1 RJ45 10M/ 100M self adaptive Ethernet port
<b>Audio I/O</b>	Mic in
<b>Alarm I/O</b>	N/A
<b>Reset Button</b>	Yes
<b>On-board storage</b>	Built-in MicroSD card slot, up to 512 GB

## General

<b>Firmware Version</b>	-
<b>Web Client Language</b>	15 languages English, Russian, Spanish, Korean, Italian, Turkish, Simple Chinese, Traditional Chinese, Thai, French, Polish, Dutch, Hebraism, Arabic, Vietnamese
<b>Operating Conditions</b>	-40°C ~ 60°C, 0 ~ 95% RH
<b>Power Supply</b>	DC 12V±25%, PoE (802.3af)
<b>Power Consumption</b>	MAX: 9W (12V) MAX: 10W (PoE)
<b>Protection</b>	IP67, Lightning protection, surge protection and voltage transient protection meets EN 55035:2017
<b>Heater</b>	N/A
<b>Dimensions</b>	239×90×90mm (9.41×3.54×3.54inch)
<b>Weight</b>	0.93Kg (2.05lb)

# MoviSight

## DIMENSIONS



## ACCESSORIES



MS-7A35  
CORNER MOUNT



MS-7P54BM SPEC:  
V5 JUNCTION BOX



MS-7A36  
POLE MOUNT