

MoviSight

MS7-F22-B

Body Temperature Measurement Camera



Key Features

- Uncooled VOx Micro bolometer with 256×192 resolution
- One IP address two channels
- NETD ≤50mK
- Thermal: 3.2 mm fixed lens, Visible: 4 mm fixed lens
- Accuracy ±0.3°C with blackbody
- Support temperature display and audio alarm
- Response Time ≤30ms
- Support 1/1 audio input/output and 2/2 alarm input/output

MoviSight

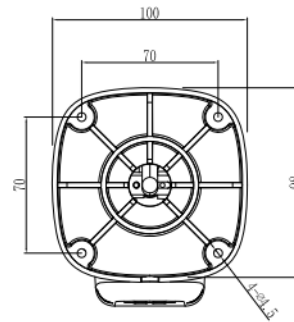
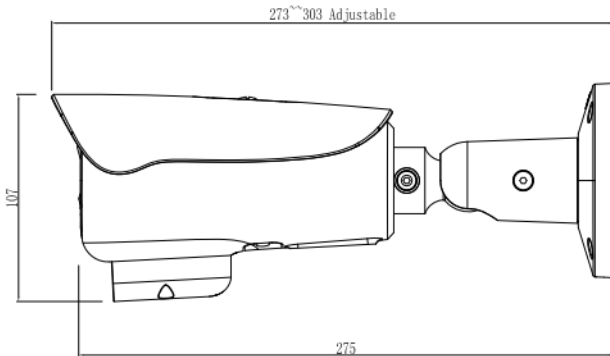
Specification

Thermal Camera	
Detector Type	Uncooled IRFPA Microbolometer
Effective Pixels	256(H) × 192(V)
Pixel Size	12um
Thermal Sensitivity (NETD)	≤50mK
Spectral Range	8~14um
Image Setting	Polarity LUT/ DVE/ Mirror/ FCC/ /3D DNR Brightness/Contrast/ ROI
Color Palettes	Black-Hot /White-Hot/Rainbow/Ironbow up to 17 modes
Thermal Lens	
Lens Type	Fixed
Focus Control	Free focus
Focal Length	3.2 mm
F No.	F1.0
Angle of View	H: 56°, V: 42°
Visible Camera	
Image Sensor	1/2.8" Sony CMOS
Effective Resolution	1920(H)×1080(V)
Shutter Speed	1/5 ~ 1/20,000s
Wide Dynamic Range	True WDR 120dB
Min. Illumination	Color: 0.1Lux @(F1.2, AGC ON) B/W: 0.01Lux @(F1.2, AGC ON)
S/N Ratio	More than 55dB
Focal Length	4 mm
Angle of View	H: 84°, V: 45°
Video and Audio	
Frame Rate	Main Stream: Visible: 1920×1080/1280×720 @25/30fps Thermal: D1 @25/30fps Sub Stream: Visible: D1/VGA/640×360/CIF/QVGA @25/30fps Thermal: CIF/256×192 @25/30fps
Bit Rate Control	CBR/VBR
Bit Rate	Main Stream: Thermal: 100Kbps~6Mbps Visible: 100Kbps~12Mbps Sub Stream: Thermal: 10Kbps~1.5Mbps Visible: 10Kbps~6Mbps
Region of Interest	Off / On (8 Zone, Rectangle)
Digital Zoom	16x
Mirror	Support
Defog	Support
Motion Detection	Support
Privacy Masking	Off / On (5 Area, Rectangle)
DVE Image Enhance	Support
Audio Compression	G.711: 8kbps, RAW_PCM: 16kbps

Intelligence	
Intelligent Functions	Perimeter, Single Virtual Fence, Double Virtual Fences, Object Left, Object Removed
Face Detection	Support face detection and capture
Temperature Detection	
Detection Mode	Body temperature monitoring
Temperature Alarm	Over temperature alarm, support speaker alarm
Accuracy	±0.5 °C without blackbody (±0.3 °C with blackbody) Environment temperature: 0°C ~ 35 °C (32°F ~ 95°F) Working Environment: Avoid the interference of wind, sunshine, high temperature and reflective objects, indoor is recommended
Response Time	≤30ms
Temperature Range	30 °C ~ 45 °C (86°F ~ 113°F)
Detection Distance	2 ~ 3m (6.56 ~ 9.84 ft)
Network	
Ethernet	RJ-45 (10/100Base-T)
Protocols:	IPv4/IPv6 ,HTTP,RTSP/RTP/RTCP, TCP/UDP, DHCP, DNS, PPPOE, SMTP, SIP ,802.1x
Interoperability	ONVIF, CGI, SDK
Max. User Access	10 Users
Edge Storage	Local PC for instant recording Micro SD card, up to 256 GB
Web Viewer	<IE11, Chrome, Firefox
Web Language	English, Chinese, Polish, Italian, Portuguese, Spanish, Russian, French, Czech, Hungarian
Interface	
Ethernet	1 Ethernet (10/100 Base-T) RJ-45 Connector
Audio Interface	1ch Audio In, 1ch Audio Out, Built-in Speaker
Alarm	2ch Alarm In, 2ch Alarm Out
RS485	Support
BNC Output	Support
Reset Button	Support
General	
Power Supply	DC12V/POE (IEEE 802.3af)
Power Consumption	Max 10W
Operating Temperature	0°C ~ 35 °C (32°F ~ 95°F)
Storage Conditions	0 ~ 90% RH
Certifications	CE /FCC
Ingress Protection	IP66
Casing	Metal
Dimensions	303×100×107 mm (11.93 × 3.94 × 4.21 inch)
Net Weight	1 Kg (2.2 lb)

MoviSight

Dimensions (mm)



Accessories

Optional:



MS7-CBK649A
Junction Box



MS7-CBK627D
Pole Mount

Disclaimer:

MoviSight Body Temperature Measurement System is not a medical device and is not designed for diagnosis, prevention, or treatment of any disease or condition.

The solution is a screening tool that businesses can use to identify individuals with elevated skin temperature compared to a customizable reference temperature on entering their premises.
