

MS-7D2P-F

Bi-spectrum Compact Network Camera



Key Features

- 256 × 192 (the resolution of output image is 704 × 576 resolution)
- Support 3 temperature measurement rule types (spot, line, area)
- Temperature range: -20°C to 150°C (-4°F to 302°F) or 0 °C to 550 °C (32°F to 1022 °F)
- Temperature accuracy: ±2°C, ±2%
- Reliable temperature exception alarm function
- Built-in warm light and microphone
- Magnet mount for power distribution cabinet
- IP67 rated
- Supports surge protection of 6 kV, air discharge of 8 kV, and contact discharge of 8 kV



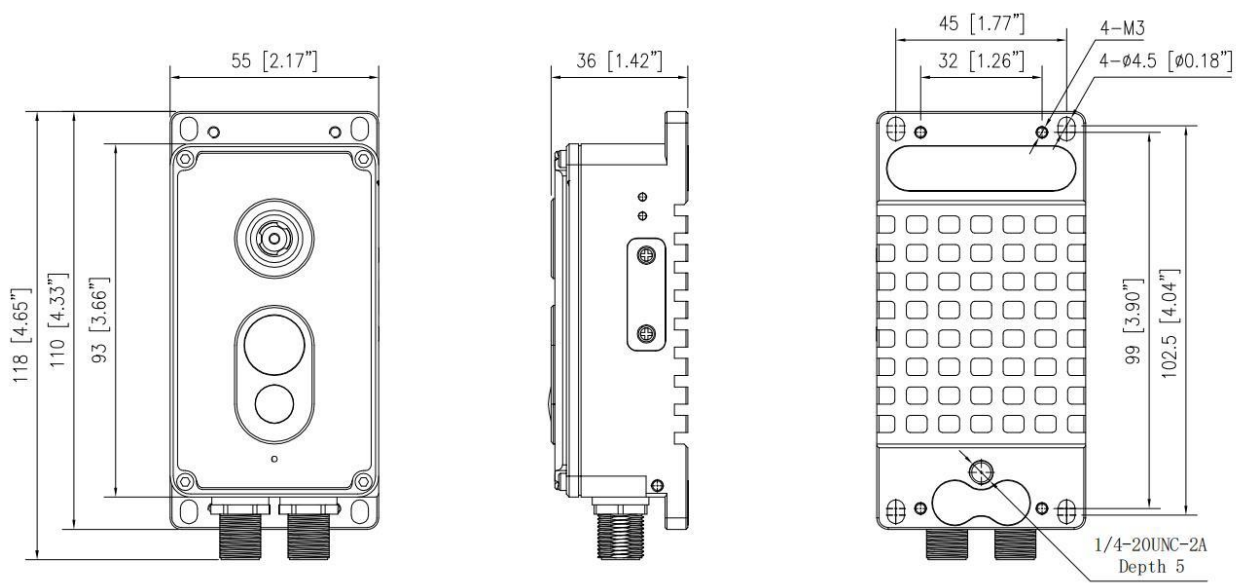
Specification

Camera	Thermal	Visible
Image Sensor	Vanadium Oxide Uncooled Focal Plane Arrays	1/2.8" 2MP STARVIS CMOS
Resolution	256(H) × 192(V) , Image can be scaled up to 704 × 576	1600(H) × 1200(V)
Pixel Pitch	12μm	
Spectral Range	8 to 14μm	
NETD	≤ 60mK	
Min. Illumination		Color: 0.05Lux @(F2.2, AGC ON), B/W: 0.005Lux @(F2.2, AGC ON), 0Lux with IR
Shutter Speed		1/5 to 1/20,000s
Focal Length	2 mm, Fixed focal	2.3 mm, Fixed focal
Max. Aperture	F1.1	F2.2
Focus Control	Fixed	Fixed
Angle of View	H: 90°, V: 65°	H: 100°, V: 75°
IVS		
Analysis Event	Fire spot detection	Smoke and flame detection
Video and Audio		
Main Stream	D1 (704×576) @25fps	1600×1200, 1280×720 @25fps
Sub Stream	CIF, 256×192 @25fps	D1, VGA, 640×360, CIF, QVGA @25fps
Frame Rate	H.265/H.264: 1 fps to 25 fps, 25 fps by default MJPEG: 12 fps	H.265/H.264: 1 fps to 25 fps, 25 fps by default MJPEG: 12 fps
Bit Rate	Main Stream: 10 Kbps to 6 Mbps, Sub Stream: 10 Kbps to 1.5 Mbps	Main Stream: 100 Kbps to 8 Mbps Sub Stream: 10 Kbps to 6 Mbps
Bit Rate Control	CBR/VBR	CBR/VBR
Smart Encode	Support	Support
Audio Compression	G.711 A-law, G.711 μ-law, RAM PCM	G.711 A-law, G.711 μ-law, RAM PCM
Image		
Image Setting	Brightness, Contrast, Sharpness	Brightness, Saturation, Contrast, Sharpness
Mirror	Horizontal / Vertical / Horizontal+Vertical	Horizontal / Vertical / Horizontal+Vertical
Pseudo-color Setting	Up to 17 colors (White-hot / Black-hot / Rainbow / Iron red / HSV / Bone / Cool / Copper / Fire-hot / Pink / Spring / Summer / Autumn / Winter / Jet / Flame / Rose -Bengal)	
FFC Control	Auto / Manual	

Gain Control		Auto / Manual
White Balance		Auto / Tungsten / Fluorescent / Daylight / Shadow
Day/Night		Day mode / Night mode / Time
Noise Reduction	2D/3D DNR	2D/3D DNR
Image Enhancement		WDR, HLC, BLC
Wide Dynamic Range		True WDR 120dB
OSD	Up to 8 OSD	Up to 8 OSD
Privacy Masking	Up to 4 areas	Up to 4 areas
Illuminator		Type: - White light Range: -0.3 m distance: 0.8×0.8 m, -1 m distance: 1.8×1.2 m
Thermal Function		
Temperature Range	-20°C to 150°C (-4°F to 302°F) or 0 °C to 550 °C (32°F to 1022 °F)	
Accuracy	±2°C / ±2%	
Temperature Detection	3 temperature measurement rule types, 20 rules in total, 1 full screen, 19 others (spot, areas, line).	
Temperature Display	Display in the lower left corner, follow the cursor display of the highest temperature, lowest temperature or average temperature	
Image Fusion	Fusion view of thermal view and overlaid details of the optical channel	
Temperature Measurement Distance (0.1×0.1m)	3 m	
Event		
Alarm Triggers	IVS, Temperature anomaly, Motion detection, Alarm Input, Disk alarm, Network anomaly alarm, Abnormal sound detection	
Event Actions	Alarm output, Recording, SMTP, FTP upload, Flashlight alarm, Audible alarm output	
Network		
Protocols	IPv4/IPv6, HTTP/HTTPS, DNS, DDNS, DHCP, PPPOE, RTSP/RTP/RTCP, TCP/UDP, NTP, ARP, UPnP, FTP, SMTP, QoS, 802.1x, SNMP, Multicast	
Compatible Integration	ONVIF (Profile S/T/G/M)	
Max Concurrent Streams	10 channels	
User/Host Level	32+ users, 3 levels: Administrator, Operator, Media user	
Security	IP address filter, HTTPS, Illegal login lock, IEEE 802.1x	
Web Viewer	<IE11, Chrome, Firefox, Microsoft Edge	
Interface		
Network Interface	1 Ethernet (10/100 Base-T) RJ-45 Connector	

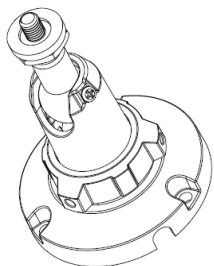
Built-in Mic	Support
Alarm Interface	1ch input, 1ch output
RS-232	1
RS-485	1
Reset Button	Support
SD Card Slot	Support Micro SD/HCSD card, up to 512GB
General	
Language	English, Chinese, Traditional Chinese, Polish, Italian, Portuguese, Spanish, Russian, French, Czech, Hungarian, Japanese, Korean. Default: English
Power Supply	12 VDC \pm 20%/PoE (802.3af)
Power Consumption	Max 3 W
Working Temperature and Humidity	-30°C to 60°C (-22°F to 140°F) Less than 90% RH
Storage Conditions	Less than 90% RH
Certifications	CE-EMC - EN 55032, EN IEC 61000-3-2, EN 61000-3-3, EN 55035 FCC 47 CFR Part 15 Subpart B
Material	Metal
Mounting	Bracket mount, Magnetic mount
Dimensions	55 × 118 × 36 mm (2.17 × 4.65 × 1.42 inch)
Net Weight	Without Cable: 0.3 Kg (0.66 lb) With Cable: 0.44 Kg (0.97 lb)
Physical Characteristics	
Ingress Protection	IP67
Reliability	Surge protection: 6 kV, Air discharge: 8 kV, Contact discharge: 8 kV
Shock Resistance	25g (IEC60068-2-29)
Vibration Resistance	2g (IEC 60068-2-6)
Ordering Information	
Model	Description
SN-D2P-F2.0	Thermal Focal Length: 2.0mm, Optical Focal Length: 2.3mm

Dimensions (mm)



Accessories

Included:



Bracket