

MS-7IPR8047AKAN-S-PZ

4MP Starlight Varifocal Bullet Network Camera



Key Features

- 1/1.8" progressive scan CMOS
- Max. 4MP(2688×1520) @50/60 fps resolution
- 8 to 32 mm or 10 to 50 mm motorized lens optional
- Supports face, human, and vehicle detection & capture.
- Supports human and vehicle attribute detection.
- Intelligent analytics: Intrusion, smart motion detection, single line crossing, double line crossing, loitering, wrong-way detection, area people limit, perimeter detection, illegal parking, running detection, fall detection, fight detection, and people counting.
- True WDR (120dB), 3D DNR, ROI, Defog, HLC
- Built-in microphone and speaker, 1/1 audio in/out, 1/2 alarm in/out
- Built-in microSD card slot (up to 1 TB)
- Smart IR distance up to 120 m
- IP66, IK10 protection



Specifications

Camera	
Image Sensor	1/1.8" Progressive Scan CMOS
Max Resolution	4MP, 2688(H) × 1520(V)
Shutter Speed	1/5 to 1/20,000s
Min Illumination	Color: 0.0025 Lux @ (F1.2, AGC ON), B/W: 0.0005 @ (F1.2, AGC ON), 0 Lux with IR on
Day & Night	Auto (ICR)
Angle Adjustment	Pan: 0° to 360°, Tilt: 0° to 90°, Rotation: 0° to 360°
Lens	
Lens Type	Motorized lens, motorized focus
Focal Length	8 to 32 mm, 10 to 50 mm optional
Max. Aperture	F1.6 / F1.3 to F1.4
Field of View (FOV)	8 to 32 mm - H: 41.1° to 14°, V: 23° to 7.9° 10 to 50 mm - H: 42.5° to 11.1°, V: 24.3° to 6.3°
Iris	Auto Iris
Illuminator	
Type	IR
IR wavelength	850nm
Distance	8 to 32 mm - Up to 80 m (262.5 ft) 10 to 50 mm - Up to 120 m (393.7 ft)
Control	Auto/Manual
Intelligent Analytics	
AI Multi-Target	- Supports face, human, and vehicle detection & capture - Supports human and vehicle attribute detection - Supports multiple frame modes: Full Frame, Four-Corner Frame, Mosaic
Attribute Extraction	Human Attributes: Gender, age, glasses, hat, bag, upper clothing color & style, lower clothing color & style, reflective vest Vehicle Attributes: Type, color, brand, orientation
Intelligent Analysis	Intrusion detection, smart motion detection, single line crossing, double line crossing, loitering, wrong-way detection, area people limit, perimeter detection, illegal parking, running detection, fall detection, fight detection - Supports accurate target classification (human/vehicle)
People Counting	Supported



Video & Audio	
Number of Streams	3 Streams
Resolution	Stream1: 2688×1520, 1920×1080, 1280×720 Stream2: D1, VGA, CIF Stream3: VGA, CIF, QVGA
Frame Rate	Up to 50/60fps
Bit Rate Control	CBR/VBR
Bit Rate	Stream1: 200 kbps to 16 Mbps Stream2: 100 kbps to 6 Mbps Stream3: 100 kbps to 3 Mbps
Smart Encoding	Supported
Region of Interest (ROI)	Off/On (8 areas, Rectangle)
Audio Compression	G.711 A-law, G.711 μ -law, RAW_PCM
Audio Bit Rate	64 Kbps (G.711), 128 Kbps (RAW_PCM)
Image	
Image Adjustment	Brightness, Sharpness, Contrast, Saturation adjustable
Scene Mode	Indoor, Outdoor, Mirror, Corridor mode
Exposure Mode	Auto, Manual, Shutter priority
White Balance	Auto, Tungsten, Fluorescent, Daylight, Shadow, Manual
Day/Night Setting	Auto, Day, Night, Time
Noise Reduction	2D/3D DNR
Image Enhancement	HLC, BLC, Defog, WDR
Wide Dynamic Range	True WDR (120dB)
Privacy Masking	4 areas
Event	
Alarm Triggers	IVS, Motion detection, Alarm input, Network alarm, Disk alarm, Day/Night switch alarm, Abnormal sound detection
Event Actions	Alarm record, Alarm output, FTP upload, SMTP upload, Snapshot, Audible alarm output, Wiegand output
Network	
Protocols	IPv4/IPv6, HTTP/HTTPS, DNS, DDNS, DHCP, PPPoE, RTSP/ RTP/RTCP, TCP/UDP, NTP, ARP, UPnP, FTP, SMTP, QoS, ICMP, IGMP, SMTP, 802.1x, SNMP, Multicast
Application Programming Interface	ONVIF (Profile S/T/G/M), CGI
Max Concurrent Streams	10 channels
User/Host Level	32+ users, 3 levels: Administrator, Operator, Media user
Web Viewer	<IE11, Chrome, Firefox, Microsoft Edge
Security	
OS / Firmware Protect	Encrypted firmware, Signed firmware



User Authentication	Digest authentication, Prevent brute-force attack
Network Authentication	IEEE 802.1X (EAP-TLS)
Secure Communication	HTTPS, WSS (WebSocket Secure), SRTP
Access Control	IP-based access control, Auto logout
Data Protect	Encryption credentials
Audit	Access / System / Event Log management
Secure Storage	SDcard partition encrypt (AES-256), Secure element
Supply Chain Security	SBOM

Interface

Network Interface	1 × Ethernet (10/100 Base-T), RJ-45 connector
Built-in Microphone	Supported
Built-in Speaker	Supported
Audio Interface	1ch Input, 1ch Output
Alarm Interface	1ch Input, 2ch Output
RS-485	1 RS-485
SD Card Slot	Built-in, up to 1 TB
Reset Button	Supported

General

Language	English, Chinese, Traditional Chinese, Polish, Italian, Portuguese, Spanish, Russian, French, Czech, Hungarian, Japanese, Korean. Default: English
Power Supply	12 VDC (-15% to +25%) / PoE (802.3af)
Power Consumption	Max 13.2 W
Operating Temperature	-40°C to 60°C (-40°F to 140°F)
Operating Humidity	Less than 95% RH
Ingress Protection	IP66, IK10
Certifications	CE-EMC - EN 55032, EN IEC 61000-6-4, EN IEC 61000-3-2, EN 61000-3-3, EN 55035, EN 50130-4 FCC 47 CFR Part 15 Subpart B
Material	Aluminum alloy
Dimensions	φ110 × 356.3 mm (φ4.33 × 14.03 inch)
Net Weight	Approx. 1.72 kg (3.79 lb)

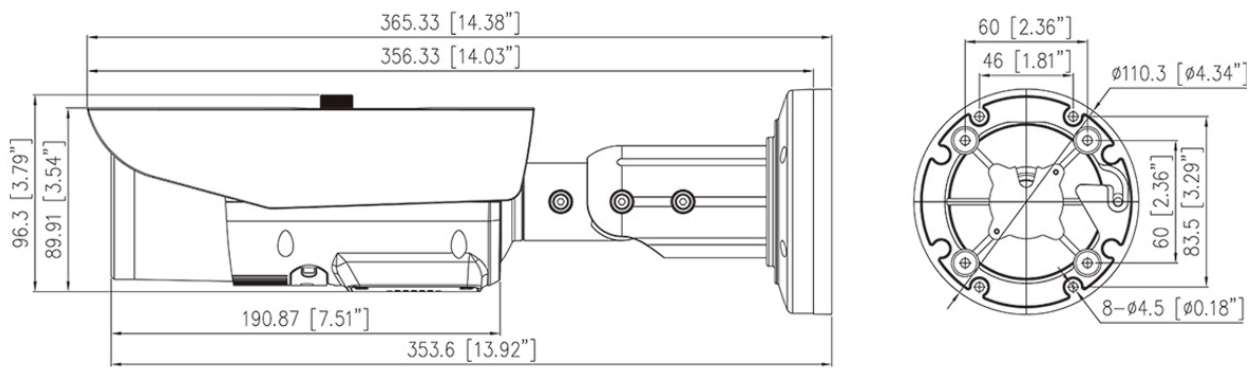
DORI Distance (EN62676-4 standard)

Detect	8 to 32 mm: 142 m to 402 m (465.88 ft to 1,318.90 ft) 10 to 50 mm: 147 m to 553 m (482.28 ft to 1,814.30 ft)
Observe	8 to 32 mm: 56.8 m to 160.8 m (186.35 ft to 527.31 ft) 10 to 50 mm: 58.8 m to 221.2 m (192.91 ft to 725.07 ft)
Recognize	8 to 32 mm: 28.4 m to 80.4 m (93.18 ft to 263.65 ft) 10 to 50 mm: 29.4 m to 110.6 m (96.46 ft to 362.86 ft)



Identify	8 to 32 mm: 14.2 m to 40.2 m (46.59 ft to 131.89 ft) 10 to 50 mm: 14.7 m to 55.3 m (48.23 ft to 181.45 ft)
----------	---

Dimensions (mm)



Accessories



MS-7CBK649B
Junction Box



MS-7CBK627D
Pole Mount