

# MoviSight®

## MS-7M3207U-B-A

### Face Recognition Terminal



### Key Features

- 7-inch LCD touch screen with a resolution of 600 × 1024.
- Supports 2MP HD dual-lens camera
- Recognition distance: 0.3 to 2 m, response speed: ≤ 200ms
- Face recognition accuracy rate ≥ 99.8%
- Supports 50,000 faces, 50,000 cards, 150,000 events, and 10,000 fingerprints.
- Supports unlocking methods via face, card, password, fingerprints, and QR code.
- Recognizes face masks and faces with masks on.
- Supports Liveness detection.
- Supports lock control.
- Offers multiple types of alarms such as authentication failures, black/white/stranger alerts, mask-off, tamper, and stranger notifications.
- Two-way audio: supports device-to-device intercom and device-to-management center intercom.
- Support TCP/IP, and WIFI
- Provides 12 VDC, 500 mA power for the extension module.
- IP65 rated.



# SPECIFICATIONS

System	
Operating System	Linux
Display	
Screen Size	7 inch
Operation Method	Touch screen
Type	IPS
Resolution	600 × 1024
Camera	
Image Sensor	2 × 1/2.9" Progressive Scan CMOS
Max. Resolution	2MP, 1920(H) × 1080(V)
Video Standard	PAL/NTSC
Min. illumination	Color: 0.001 Lux
Day & Night	Fixed filter
Lens	
Lens Type	Fixed lens
Iris	Fixed
Focal Length	4 mm
Max. Aperture	F2.2
Field of View (FOV)	H: 75°, V: 41°, D: 81°
Illuminator	
Illuminator Type	White LEDs for facial recognition IR LEDs for liveness detection
Illumination Modes	White light supports continuous on, off, and auto modes; infrared light supports continuous on
IR Wavelength	850 nm
Video	
Video Stream/Frame Rate	Main stream: 1920 × 1080, 1280 × 720 @25/30fps Sub stream: D1, VGA, CIF @25/30fps
Video Bit Rate	Main stream: 500 kbps to 12 Mbps Sub stream: 200 kbps to 8 Mbps
Bit Rate Control	CBR/VBR
Network	
Wired Network	Supported
Wi-Fi	Supported, 2.4G/5G, 802.11a/b/g/n/ac
Network Protocol	IPv4/IPv6, RTSP/RTP/RTCP, TCP/UDP, HTTPS, DHCP, DNS, DDNS, PPPoE, UPNP, ICMP, IGMP, FTP, NTP, SMTP, 802.1x, SNMP
SIP Protocol	Supported
MQTT Protocol	Supported

# SPECIFICATIONS

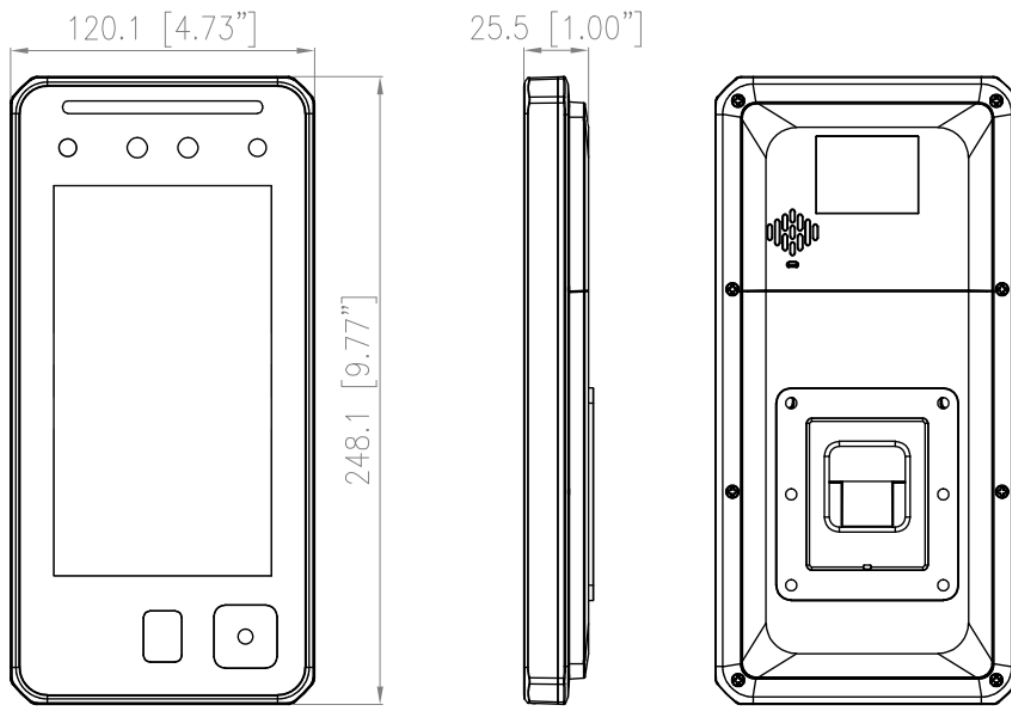
Interoperability	ONVIF (Profile S/T/G/M), SDK, CGI
Max Concurrent Streams	10 channels
User/Host Level	32+ users, 3 levels: Administrator, Operator, Media user
<b>Security</b>	
OS / Firmware Protect	Encrypted firmware, Secure boot, Signed firmware
User Authentication	Digest authentication, Prevent brute-force attack
Network Authentication	IEEE 802.1X(EAP-TLS)
Secure Communication	HTTPS, WSS(WebSocket Secure), SRTP
Access Control	IP-based access control, Auto logout
Data Protect	Encryption credentials
Audit	Access / System / Event Log management
Secure Storage	SDcard partition encrypt(AES-256), Secure element
Supply Chain Security	SBOM
<b>Function</b>	
Authentication Mode	Face, Card, Password, Fingerprints, and QR code.
Face Recognition Distance	0.3 to 2.0 m (0.98 to 6.56 ft)
Face Recognition Height Range	1.1 to 2.2 m (3.61 to 7.22 ft)
Face Recognition Accuracy Rate	≥ 99.8%
Face Recognition Time	≤ 0.2 s
Card Reading Distance	0 to 2 cm
Card Type	IC card, ID card, M1 card, Felica card, DESfire card, Mifare card.
Card Reading Time	< 1 s
Barcode Recognition	1D Barcode: Code 128, Interleaved 2 of 5, Matrix 2 of 5, Code 39, Codebar, Code 9, and UCC/EAN-128 QR Code: Codeblock A, Codeblock F, PDF417, Micro PDF417, GS1 Composite Codes, QR Code, Data Matrix, MaxiCode, Aztec, HANXIN.
Fingerprint Sensor Type	Capacitive
Fingerprint Comparison Time	< 0.1s
Face Attendance	Supported
Two-way Audio	Support device-to-device intercom. Support device-to-management center intercom. Support SIP.
Alarm Triggers	I/O alarm, authentication failures, black/white/stranger alerts, mask-off, tamper, and stranger.
Audio Prompt	Supported
<b>Capacity</b>	
Face Capacity	50,000
Card Capacity	50,000

# SPECIFICATIONS

Fingerprint Capacity	10,000
Event Capacity	150,000
<b>Interface</b>	
Network Interface	1 RJ-45, 10/100 M self-adaptive Ethernet port
Audio Input	1 built-in mic
Audio Output	1 built-in speaker
Alarm Input/output	2/2
USB Interface	1 USB2.0
Lock Control	1
Exit Button	1
Door Contact Input	1
RS-485	1
Wiegand	1 Wiegand (26/34/35/36/37/50 bit), Supports customizable input or output modes.
Tamper Button	1
SD Card Slot	Built-in, up to 1 TB
Reset Button	Support
Power Output	1 (12 VDC, 500mA)
<b>General</b>	
Language	English, Chinese, Polish, Italian, Portuguese, Spanish, Russian, French, Czech, Hungarian, Japanese, Korean. Default: English
Power Supply	12 VDC/PoE (802.3af)
Power	
Front Panel	Aluminum Alloys
Installation	Pole mount, Wall mount, Tabletop
Protective Level	IP65
Working Temperature	-30 °C to 60 °C (-22 °F to 140 °F)
Working Humidity	Less-than 90% (no-condensing)
Dimensions (W × D × H)	120.1 × 25.5 × 248.1 mm (4.73 × 1.0 × 9.77 in)
Net Weight	

# SPECIFICATIONS

## Dimensions (mm)



## Accessories

Optional: