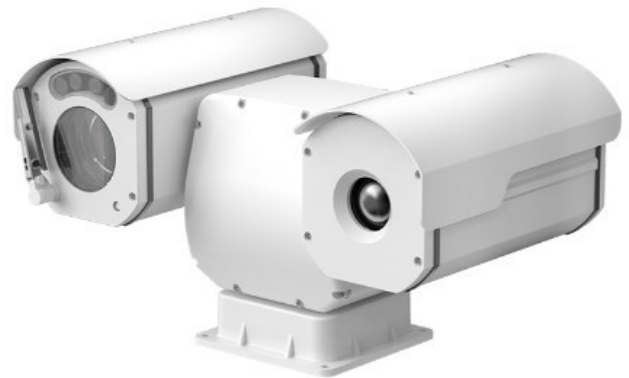


MS-7TPT6434QZ-M

Thermal & Optical Bi-spectrum Mini PTZ Camera



Key Features

- Bi-Spectrum: 640 × 512 thermal and 5MP visible sensor
- Sensor: 12 μm VOx uncooled thermal sensor, NETD ≤ 20 mK
- Optional motorized thermal lenses: 25 / 50 mm; 30× optical zoom visible lens
- Supports human/vehicle detection; smoking, smoke and flame detection, and fire spot detection
- Intelligent analytics: Intrusion, smart motion detection, single-line crossing, double-line crossing, loitering, wrong-way detection, enter area, leave area, and people counting
- Temperature monitoring and exception alarms
- Temperature measurement: spot, line, and area
- Temperature range: -20 °C to 150 °C; accuracy: ±2°C / ±2%
- Compliance: NDA A compliant, IP66

Specifications

Camera		
	Thermal	Visible
Image Sensor	Vanadium Oxide Uncooled Focal Plane Arrays	1/2.8" SRAVIS CMOS
Max Resolution	Sensor is 640×512, Image can be scaled up to 1280×1024	2592 (H)×1944 (V), 5MP
Pixel Pitch	12µm	N/A
Spectral Range	8 to 14µm	N/A
NETD	≤ 20mK	N/A
Shutter Speed	N/A	1/5 to 1/100,000s
Min Illumination	N/A	Color: 0.005 Lux @(F1.6, AGC ON), B/W: 0.0001 Lux (F1.6, AGC ON), 0 Lux with illuminator on
Day & Night	N/A	Auto (ICR)
Lens		
	Thermal	Visible
Lens Type	Fixed lens	Motorized zoom lens
Focal Length	25 mm, 50 mm optional	5.3 to 159 mm, 30x optical zoom
Max. Aperture	F1.0	F1.6 to F4.4
Field of View (FOV)	25 mm, H: 17°, V: 14°; 50 mm, H: 8°, V: 7°	H: 56.8° to 2.6°, V: 42.7° to 2.0°
Focus Control	Motorized focus	Auto / Manual
Illuminator		
Type	Warm light	
Distance	Up to 30 m (98.4 ft)	
Control	Auto / Manual	
Intelligent Analytics		
	Thermal	Visible
AI Multi-Target	Supports human / vehicle detection.	Supports face, human, and vehicle detection & capture. Supports human and vehicle attribute detection.
Attribute Extraction	N/A	- Human Attributes: Gender, age, glasses, hat, bag, upper clothing color & style, lower clothing color & style, reflective vest. - Vehicle Attributes: Type, color, brand, orientation.

Intelligent Analysis	Intrusion detection, smart motion detection, single line crossing, double line crossing, loitering, wrong-way detection, enter/leave area detection. - Supports accurate target classification (human/vehicle)	Intrusion detection, smart motion detection, single line crossing, double line crossing, loitering, wrong-way detection, area people limit, perimeter detection, illegal parking, running detection, fall detection, fight detection. - Supports accurate target classification (human/vehicle)
Smoke and Flame Detection	N/A	Supported
People Counting	Supported	Supported
Smoking Detection	Supported	N/A
Fire Spot Detection	Supported	N/A
Video & Audio		
	Thermal	Visible
Resolution	Stream1: 1280×1024, 1280×720, 640×512 Stream2: D1, CIF	Stream1: 2592×1944, 2592×1520, 1920×1080, 1280×720 Stream2: D1, VGA, CIF Stream3: VGA, CIF, QVGA
Frame Rate	Up to 25fps	Up to 25/30fps
Bit Rate Control	CBR/VBR	CBR/VBR
Bit Rate	Stream1: 100 Kbps to 8 Mbps, Stream2: 10 Kbps to 6 Mbps	Stream1: 200 kbps to 12 Mbps Stream2: 100 kbps to 6 Mbps Stream3: 100 kbps to 3 Mbps
Smart Encoding	Supported	Supported
Region of Interest (ROI)	N/A	Supported
Audio Compression	N/A	G.711 A-law, G.711 μ-law, RAW_PCM
Audio Bit Rate	N/A	64 Kbps (G.711), 128 Kbps (RAW_PCM)
Image		
	Thermal	Visible
Image Adjustment	Brightness, Contrast, Sharpness	Brightness, Saturation, Contrast, Sharpness
Scene Mode	Mirror	Indoor, Outdoor, Mirror
Pseudo-color Setting	Up to 17 colors (White-hot / Black-hot / Rainbow / Iron red / HSV / Bone / Cool / Copper / Fire-hot / Pink / Spring / Summer / Autumn / Winter / Jet / Flame / Rose - Bengal)	N/A
FFC Control	Auto / Manual	N/A
Exposure Mode	N/A	Auto / Manual
White Balance	N/A	Auto / Tungsten / Fluorescent / Daylight / Shadow
Day/Night Setting	N/A	Auto / Day mode / Night mode / Timer
Noise Reduction	2D/3D DNR	2D/3D DNR
Image Enhancement	N/A	WDR, HLC, BLC, Defog, Anti-shake

Wide Dynamic Range	N/A	True WDR(120dB)
Privacy Masking	Supported	Supported
Thermal Function		
Temperature Range	-20°C to 150°C (-4°F to 302°F)	
Accuracy	±2°C / ±2%	
Temperature Detection	3 temperature measurement rule types, 20 rules in total, 1 full screen, 19 others (spot, areas, line).	
Temperature Alarm	Supports threshold alarm, temperature difference alarm, range alarm, and temperature rise alarm.	
Temperature Display	Display in the lower left corner; follow the cursor display of the highest temperature, lowest temperature or average temperature	
Response Time	≤ 30ms	
PTZ		
Pan/Tilt Range	Pan: 0° to 360° endless, Tilt: -90° to +90°	
Pan Speed	Pan: 0.01° to 20°/s, preset speed: 20°/s	
Tilt Speed	Tilt: 0.01° to 10°/s, preset speed: 10°/s	
Preset Accuracy	± 0.1°	
Preset	400	
Track	6 tracks	
Scan	8 scans	
Tour	12 tours, up to 32 presets per tour	
Power-Off Memory	Supported	
3D Positioning	Supported	
Idle Motion	The time can be set (1-240 minutes), and functions such as preset positions, patrols, scans, and tracks can be run.	
Event		
Alarm Triggers	IVS, Temperature anomaly, Motion detection, Alarm input, Disk alarm, Network alarm	
Event Actions	Alarm output, Alarm record, SMTP, FTP upload, Audible alarm output	
Network		
Protocols	IPv4/IPv6, HTTP/HTTPS, DNS, DDNS, DHCP, PPPOE, RTSP/RTP/RTCP, TCP/UDP, NTP, ARP, UPnP, FTP, SMTP, QoS, 802.1x, SNMP, Multicast	
Application Programming Interface	ONVIF (Profile S/T/G/M), CGI	
Max Concurrent Streams	10 channels	
User/Host Level	32+ users, 3 levels: Administrator, Operator, Media user	
Web Viewer	<IE11, Chrome, Firefox, Microsoft Edge	
Security		
OS / Firmware Protect	Encrypted firmware, Secure boot, Signed firmware	

User Authentication	Digest authentication, Prevent brute-force attack
Network Authentication	IEEE 802.1X (EAP-TLS)
Secure Communication	HTTPS, WSS (WebSocket Secure), SRTP
Access Control	IP-based access control, Auto logout
Data Protect	Encryption credentials
Audit	Access / System / Event Log management
Secure Storage	SDcard partition encrypt(AES-256), Secure element
Supply Chain Security	SBOM

Interface

Network Interface	RJ-45 Ethernet (10/100BASE-T)
Built-in Speaker	Supported (visible)
Alarm Interface	1 input, 1 output (thermal)
Control Interface	RS-485
CVBS Output	BNC (visible)
SD Card Slot	MicroSD card slot (max. 1 TB) *Memory card must be factory pre-installed and is not field-installable.

General

Language	English, Chinese, Traditional Chinese, Polish, Italian, Portuguese, Spanish, Russian, French, Czech, Hungarian, Japanese, Korean. Default: English
Power Supply	12 VDC
Power Consumption	Typical: 18 W, Max 36 W
Operating Temperature	-40°C to 60°C (-40°F to 140°F)
Operating Humidity	≤ 95% RH (non-condensing)
Ingress Protection	IP66
Wiper	Supported
Certifications	CE-EMC - EN 55032, EN IEC 61000-6-4, EN IEC 61000-3-2, EN 61000-3-3, EN 55035, EN 50130-4 FCC 47 CFR Part 15 Subpart B
Material	Metal
Dimensions	348 × 200 × 200 mm (13.7 × 7.87 × 7.87 inch)
Net Weight	Approx. 5 kg (11.0 lb)

DORI Distance (EN62676-4 standard)

Detect	103 to 3,090 m (337.93 to 10,137.8 ft)
Observe	41.2 to 1,236 m (135.17 to 4,055.1 ft)
Recognize	20.6 to 618 m (67.59 to 2,027.6 ft)
Identify	10.3 to 309 m (33.79 to 1,013.8 ft)

Thermal DRI Distance

Thermal Lens	25 mm	50 mm
Detection (Human: 1.8×0.5 m)	1,042 m (3,418.6 ft)	2,083 m (6,834.0 ft)
Detection (Vehicle: 4×1.5 m)	3,194 m (10,479 ft)	6,389 m (20,961.3 ft)
Recognition (Human: 1.8×0.5 m)	260 m (853 ft)	521 m (1,709.3 ft)
Recognition (Vehicle: 4×1.5 m)	799 m (2,621.4 ft)	1,597 m (5,239.5 ft)
Identification (Human: 1.8×0.5 m)	130 m (426.5 ft)	260 m (853 ft)
Identification (Vehicle: 4×1.5 m)	399 m (1,309.1 ft)	799 m (2,621.4 ft)

Note:

Distances are calculated based on Johnson's Criteria.

Detection: Object must be covered by ≥ 1.5 pixels.

Recognition: Object must be covered by ≥ 6 pixels.

Identification: Object must be covered by ≥ 12 pixels.

Thermal Smart Detection

Lens	25 mm	50 mm
VCA Detection (Human: 1.8×0.5 m)	280 m (918.6 ft)	480 m (1,574.8 ft)
Temperature Measurement (1 × 1 m)	417 m (1,368.1 ft)	833 m (2,732.9 ft)
Temperature Measurement (0.2×0.2 m)	83 m (272.3 ft)	167 m (547.9 ft)
Fire Detection (1×1 m)	1,042 m (3,418.6 ft)	2,083 m (6,834.0 ft)
Fire Detection (0.2×0.2 m)	208 m (682.4 ft)	417 m (1,368.1 ft)

Note:

Values are for reference only. Actual detection range may vary with atmospheric conditions, target size, and installation environment.

Ordering Info

Model	SN-TPT6434QZ-M25-ZSE30	SN-TPT6434QZ-M50-ZSE30
Description	Thermal Focal Length: 25 mm Visible Focal Length: 5.3 to 159 mm, 30x optical zoom	Thermal Focal Length: 50 mm Visible Focal Length: 5.3 to 159 mm, 30x optical zoom

Dimensions (mm)

