



MS-7IPS8652ELDN-Z15

4 inch 5MP 15x Network PTZ Camera



Key Features

- 1/2.8" 5MP STARVIS™ CMOS
- 15x optical zoom, 16x digital zoom
- Support face, human and vehicle detection and capture
- Support smoke & fire detection as well as smart motion detection
- Auto tracking and perimeter protection based on deep learning
- Intelligent analysis: intrusion, single line crossing, double line crossing, loitering, wrong-way, illegal parking and people counting
- True WDR, 3D DNR, ICR, Defog and Anti-shake
- IP66, IK10

MoviSight

Specification

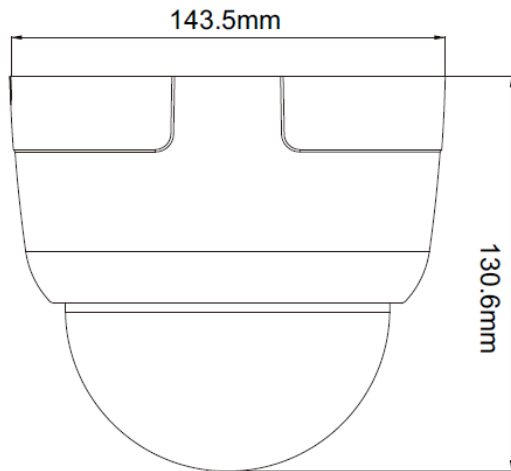
Camera				
Image Sensor	1/2.8" Progressive Scan CMOS			
Max. Resolution	2592(H) × 1944(V)			
Min. illumination	Color: 0.01 Lux @ (F1.6, AGC ON), B/W: 0.001 Lux @ (F1.6, AGC ON)			
Electronic Shutter	Auto/Manual, 1/5 to 1/20,000s			
Day & Night	Auto (ICR)			
Lens				
Focal Length	5.3 to 79.5 mm, 15x optical zoom			
Max. Aperture	F1.6 to F2.8			
Angle of View	H: 58.2° to 4.83°, V: 34° to 2.8°			
Zoom Speed	Approx. 2.5s			
Iris Control	Auto/Manual			
Focus Control	Auto/Manual/Semi-automatic			
Digital Zoom	16x			
DORI Distance				
Lens	Detect	Observe	Recognize	Identify
5.3 mm	106 m (347.8 ft)	42.4 m (139.1 ft)	21.2 m (69.6 ft)	10.6 m (34.8 ft)
79.5 mm	1,340 m (4,396.3 ft)	536 m (1,758.5 ft)	268 m (879.3 ft)	134 m (439.6 ft)
PTZ				
Pan/Tilt Range	Pan: 0° to 360° endless, Tilt: 0° to +90°			
Pan Speed	Pan speed: 0.1° to 200°/s, preset speed: 200°/s			
Tilt Speed	Tilt speed: 0.1° to 160°/s, preset speed: 160°/s			
Presets	300			
Patrol Scan	6 Track, 12 Scan, 12 Patrol (up to 32 presets each patrol)			
Power-Off Memory	Support			
3D Positioning	Support			
PTZ Status Display	Support			
Idle Motion	The time can be set (1-240 minutes), and functions such as preset positions, patrols, scans, and tracks can be run.			
Video				
Streaming Capability	3 Streams			
Stream/Frame Rate	Stream1: 2592×1944, 2592×1520, 1920×1080, 1280×720 @25/30fps Stream2: D1, VGA, CIF @25/30fps Stream3: VGA, CIF, QVGA @25/30fps			
Bit Rate Control	CBR/VBR			
Bit Rate	Stream1: 200kbps to 12Mbps Stream2: 100kbps to 6Mbps Stream3: 100kbps to 3Mbps			
Smart Encoder	Support			
Region of Interest (ROI)	Support			
Image				
Image Adjustment	Brightness, Sharpness, Contrast, Saturation			

MoviSight

Mirror	Support
Exposure Mode	Auto/Manual
White Balance	Auto/Manual
Day/Night Setting	Auto, Day, Night, Time
Noise Reduction	2D/3D DNR
Image Enhancement	HLC, BLC, Defog, Anti-shake
Wide Dynamic Range	True WDR
S/N Ratio	55dB
Motion Detection	Support
Privacy Masking	Support 40 zones, mask color configurable
Smart Function	
Basic Event	Motion detection alarm, I/O alarm, Disk alarm, Network alarm
Multi-Object Detection	Support face, human, vehicle detection and capture
Intelligent Analysis	Intrusion, Single line crossing, Double line crossing, Loitering, Wrong-way, Illegal parking, Smart motion detection (support the accurate detection of vehicle and human)
Smoke & Fire Detection	Support
People Counting	Support
Smart Tracking	Support
Network	
Protocols	IPv4, IPv6, TCP/IP, HTTP, HTTPS, RTSP/RTP/RTCP, IGMP/Multicast, SMTP, DHCP, NTP, DNS, DDNS, QoS, SNMP, 802.1X, UDP, ICMP, ARP, TLS
Interoperability	ONVIF, SDK, CGI
Streaming Method	Multicast
Max. User Access	10 Users
Web Viewer	<IE11, Chrome, Firefox, Microsoft Edge
Language	English, Chinese, Polish, Italian, Portuguese, Spanish, Russian, French, Czech, Hungarian. Default: English
Interface	
Network Interface	1 Ethernet (10/100 Base-T) RJ-45 Connector
Reset Button	Support
SD Card Slot	Built-in, up to 256GB
Electrical	
Power Supply	12VDC/PoE (IEEE 802.3af)
Power Consumption	Less than 12 W
Operating Temperature	-20°C to 50°C (-4°F to 122 °F)
Operating Humidity	Less than 90% RH
Ingress Protection	IP66, IK10, TVS4000V
Certifications	CE/FCC
Casing	Metal
Dimensions	φ143.5 × 130.6mm (φ5.65 × 5.14 inch)
Net Weight	1.15 Kg (2.54 lb)

MoviSight

Dimensions (mm)



Accessories

Optional:



MS-7BK357
Wall Bracket



MS-7BK356
Ceiling Bracket



MS-7BK377
Corner Mount



MS-7BK378
Pole Mount