

## MS-7IPR8045DQAN-T

### 4MP ANPR Bullet Network Camera



### Key Features

- 1/2.8" STARVIS™ CMOS
- Max. 4MP (2592×1520) @50/60fps resolution
- 5 to 50 mm motorized lens
- Supports license plate recognition and vehicle attribute recognition
- Max. recognition speed up to 60 km/h
- Supports up to 5,000 whitelist/blacklist entries
- True WDR (120dB), 3D DNR, ROI, Defog, HLC
- Built-in microphone, 1/1 audio in/out, 1/1 alarm in/out
- Built-in microSD card slot (up to 1 TB)
- Smart IR distance up to 100 m
- IP66 protection

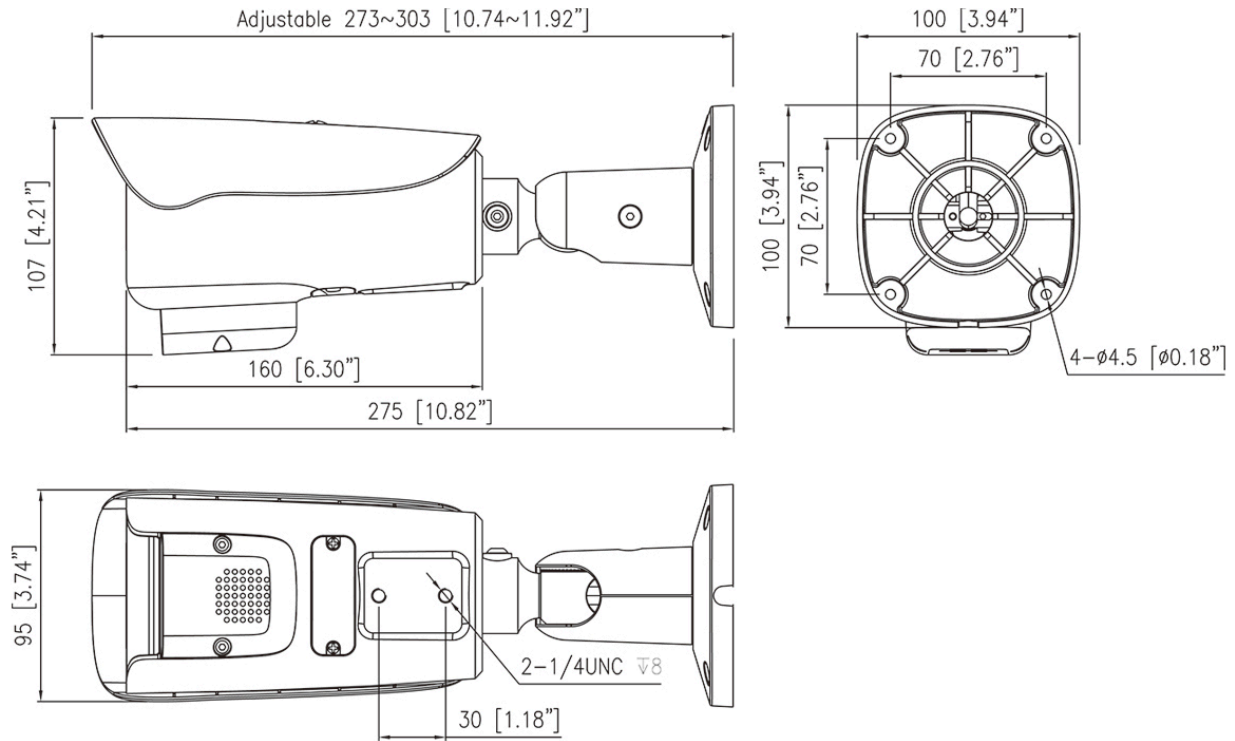
## Specifications

Camera	
Image Sensor	1/2.8" Progressive Scan CMOS
Max Resolution	4MP, 2592(H) × 1520(V)
Shutter Speed	1/5 to 1/100,000s
Min Illumination	Color: 0.05 Lux @ (F2.0, AGC ON), B/W: 0.01 Lux @ (F2.0, AGC ON), 0 Lux with IR on
Day & Night	Auto (ICR)
S/N Ratio	55dB
Angle Adjustment	Pan: 0° to 360°, Tilt: 0° to 90°, Rotation: 0° to 360°
Lens	
Lens Type	Varifocal lens
Focal Length	5 to 50 mm
Max. Aperture	F2.0
Field of View (FOV)	H: 51.2° to 7.8°, V: 29.4° to 4.6°
Iris	Auto Iris
Focus Control	Motorized focus
Illuminator	
Type	IR
IR wavelength	850 nm
Distance	Up to 100 m (328.1 ft)
Control	Auto/Manual
Road Traffic and Vehicle Detection	
Smart Function	License plate recognition (LPR); Vehicle attribute recognition (type, color, direction)
Vehicle Type	Car, SUV, Van, Minivan, Pickup, Bus, Truck, MPV, Sports Car
Vehicle Color	Blue, Yellow, Black, White, Green, Red, Gray, Brown, Gold, Orange
Vehicle Direction	Front-facing, Rear-facing
LPR Detection Speed	Up to 60 km/h
LPR Region Support	Default Support: Australia, Chile, Indonesia, Malaysia, Oman, Saudi Arabia, South Africa Optional (Customized): Other countries/regions upon request
White/Black List	Up to 5,000 records
LPR Smart Search	Supported
Intelligent Analytics	

Intelligent Analysis	Intrusion, Single line crossing, Double line crossing, Wrong-way detection, Illegal parking, and Smart motion detection Support alarm triggering by specified target types (vehicle)
<b>Video &amp; Audio</b>	
Number of Streams	3 Streams
Resolution	Stream1: 2592×1520, 2560×1440, 2304×1296, 1920×1080, 1280×720 Stream2: D1, VGA, 640×360, CIF, QVGA Stream3: VGA, CIF, QVGA
Frame Rate	Up to 50/60fps
Bit Rate Control	CBR/VBR
Bit Rate	Stream1: 200 Kbps to 12 Mbps Stream2: 100 Kbps to 6 Mbps Stream3: 100 Kbps to 3 Mbps
Smart Encoding	Supported
Region of Interest (ROI)	8 areas
Audio Compression	G.711 A-law, G.711 μ-law, RAW_PCM
Audio Bit Rate	64 Kbps (G.711), 128 Kbps (RAW_PCM)
<b>Image</b>	
Image Adjustment	Brightness, Sharpness, Contrast, Saturation
Scene Mode	Indoor, Outdoor, Mirror, Corridor mode
Exposure Mode	Auto, Manual, Shutter priority
White Balance	Auto, Tungsten, Fluorescent, Daylight, Shadow, Manual
Day/Night Setting	Auto, Day mode, Night mode, Timer
Noise Reduction	2D/3D DNR
Image Enhancement	WDR, HLC, BLC, Defog
Wide Dynamic Range	True WDR (120dB)
Privacy Masking	4 areas
<b>Event</b>	
Alarm Triggers	IVS, Motion detection, Alarm input, Network alarm, Disk alarm, Day/Night switch alarm, Abnormal sound detection
Event Actions	Alarm record, Alarm output, FTP upload, SMTP upload, Snapshot, Audible alarm output
<b>Network</b>	
Protocols	IPv4/IPv6, HTTP/HTTPS, DNS, DDNS, DHCP, PPPoE, RTSP/ RTCP/RTP, TCP/UDP, NTP, ARP, UPnP, FTP, SMTP, QoS, ICMP, IGMP, SMTP, 802.1x, SNMP, Multicast
Application Programming Interface	ONVIF (Profile S/T/G/M), CGI
Max Concurrent Streams	10 channels
User/Host Level	32+ users, 3 levels: Administrator, Operator, Media user
Web Viewer	<IE11, Chrome, Firefox, Microsoft Edge

Security	
OS / Firmware Protect	Encrypted firmware, Signed firmware
User Authentication	Digest authentication, Prevent brute-force attack
Network Authentication	IEEE 802.1X (EAP-TLS)
Secure Communication	HTTPS, WSS (WebSocket Secure), SRTP
Access Control	IP-based access control, Auto logout
Data Protect	Encryption credentials
Audit	Access / System / Event Log management
Secure Storage	SDcard partition encrypt (AES-256), Secure element
Supply Chain Security	SBOM
Interface	
Network Interface	1 × Ethernet (10/100 Base-T), RJ-45 connector
Built-in Microphone	Supported
Audio Interface	1 × Input; 1 × Output
Alarm Interface	1 × Input; 1 × Output
SD Card Slot	Built-in microSD card slot, up to 1 TB
Reset Button	Supported
General	
Language	English, Chinese, Traditional Chinese, Polish, Italian, Portuguese, Spanish, Russian, French, Czech, Hungarian, Japanese, Korean. Default: English
Power Supply	12 VDC / 24 VAC / PoE (802.3af)
Power Consumption	Typical: 3.7 W (12 VDC) Max: 9.8 W (12 VDC, with light on)
Operating Temperature	-40°C to 60°C (-40°F to 140°F )
Operating Humidity	Less than 95% RH
Ingress Protection	IP66
Certifications	CE-EMC - EN 55032, EN IEC 61000-6-3, EN IEC 61000-3-2, EN 61000-3-3, EN 55035, EN 50130-4 FCC 47 CFR Part 15 Subpart B
Material	Aluminum alloy + plastic
Dimensions	303 × 100 × 107 mm (11.9 × 3.94 × 4.21 inch)
Net Weight	Approx. 1.25 kg (2.76 lb)

## Dimensions (mm)



## Accessories

### Optional:



**MS-7CBK645G**  
Junction Box



**MS-7CBK627D**  
Pole Mount



**MS-7CBK101**  
Pole Mount



**MS-7CBK102**  
Corner Mount