

## MS-7IPS8652PCDN(-K)-Z15-SS

15x Explosion-Proof 5MP Network Speed Dome



### Key Features

- 1/2.8" 5MP STARVIS™ CMOS
- Max. 5MP(2592×1944) @25/30fps resolution
- 15x optical zoom, 16x digital zoom
- Supports detection and capture of faces, humans, and vehicles, as well as smoke and flame detection.
- Intelligent analysis: intrusion, single line crossing, double line crossing, loitering, wrong-way, illegal parking, and people counting.
- True WDR, 3D DNR, ICR, Defog and Anti-shake
- -K: Support fiber optical interface
- 316L stainless steel enclosure, IP68 water resistant
- ATEX: II 2 G Ex db op is IIC T6 Gb, Ex II 2 D Ex tb op is IIIC T80°C Db



## Specification

Camera	
Image Sensor	1/2.8" Progressive Scan CMOS
Max. Resolution	5MP, 2592(H) × 1944(V)
Electronic Shutter	Auto/Manual, 1/5 to 1/20,000s
Min. illumination	Color: 0.01 Lux @ (F1.6, AGC ON), B/W: 0.001 Lux @ (F1.6, AGC ON)
Day & Night	Auto (ICR)
Wide Dynamic Range	True WDR
Lens	
Focal Length	5.3 to 79.5 mm, 15x Optical Zoom
Max. Aperture	F1.6 to F2.8
Field of View (FOV)	H: 56.2° to 4.5°, V: 42.3° to 3.3°
Zoom Speed	Approx. 2.5 s
Digital Zoom	16x
Iris Control	Auto/Manual
Focus Control	Auto/Manual/Semi-automatic
DORI	
DORI Distance (Detection)	104 to 1,560 m (341.21 to 5,118.11 ft)
DORI Distance (Observe)	41.6 to 624 m (136.48 to 2,047.24 ft)
DORI Distance (Recognize)	20.8 to 312 m (68.24 to 1,023.62 ft)
DORI Distance (Identify)	10.4 to 156 m (34.12 to 511.81 ft)
DORI (Detect, Observe, Recognize, and Identify) is a standard system (EN-62676-4) for defining the ability of a person viewing the video to distinguish persons or objects within a covered area. The numbers in this table do not reflect intelligent function distances.	
Intelligent Analytics	
Multi-Object Detection	Supports face, human, vehicle detection and capture. Supports multiple frame modes: Full Frame, Four-corner Frame, and Mosaic.
Smoke and Flame Detection	Support
Intelligent Analysis	Intrusion, Single line crossing, Double line crossing, Loitering, Wrong-way, Illegal parking, Smart Motion Detection (support the accurate detection of vehicle and human)
People Counting	Support
Smart Tracking	Support
Video and Audio	
Streaming Capability	3 Streams

# MoviSight

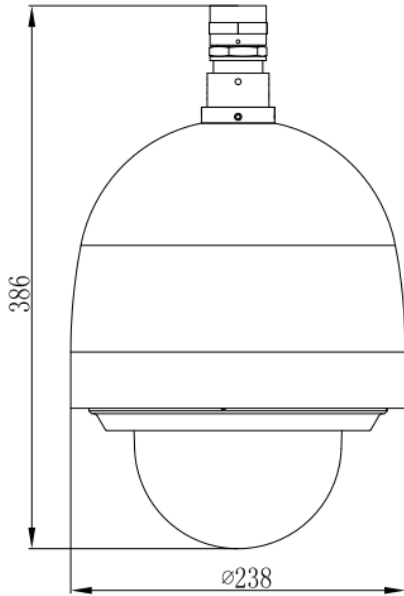
Stream/Frame Rate	Stream1: 2592×1944, 2592×1520, 1920×1080, 1280×720 @25/30fps Stream2: D1, VGA, CIF @25/30fps Stream3: VGA, CIF, QVGA @25/30fps
Bit Rate Control	CBR/VBR
Bit Rate	Stream1: 200 kbps to 12 Mbps Stream2: 100 kbps to 6 Mbps Stream3: 100 kbps to 3 Mbps
Smart Encoder	Support
Region of Interest (ROI)	Support
<b>Image</b>	
Image Adjustment	Brightness, Sharpness, Contrast, Saturation adjustable
Scene Setting	Indoor, Outdoor, Mirror
Exposure Mode	Auto, Manual, Shutter priority, Iris priority
White Balance	Auto, Tungsten, Fluorescent, Daylight, Shadow, Manual
Day/Night Setting	Auto, Day, Night, Timer
Noise Reduction	2D/3D DNR
Image Enhancement	HLC, BLC, Defog, WDR, Anti-shake
Privacy Masking	Support 40 zones, mask color configurable
<b>PTZ</b>	
Pan/Tilt Range	Pan: 0° to 360° endless, Tilt: 0° to +90° (auto-flip)
Pan Speed	Pan speed: 0.1° to 200°/s, preset speed: 200°/s
Tilt Speed	Tilt speed: 0.1° to 160°/s, preset speed: 160°/s
Presets	300
Patrol Scan	6 Track, 12 Scan, 12 Patrol (up to 32 presets each patrol)
Power-Off Memory	Support
3D Positioning	Support
PTZ Status Display	Support
Idle Motion	The time can be set (1-240 minutes), and functions such as preset positions, patrols, scans, and tracks can be run.
<b>Event</b>	
Alarm Triggers	IVS, Motion detection, Network alarm, Disk alarm, Day/Night switch alarm
Event Actions	Alarm record, FTP upload, SMTP upload
<b>Network</b>	
Protocols	IPv4/IPv6, HTTP/HTTPS, DNS, DDNS, DHCP, PPPoE, RTSP/ RTCP/RTP, TCP/UDP, NTP, ARP, UPnP, FTP, SMTP, QoS, ICMP, IGMP, SMTP, 802.1x, SNMP, Multicast
Interoperability	ONVIF (Profile S/T/G/M), SDK, CGI

# MoviSight

Max Concurrent Streams	10 channels
User/Host Level	32+ users, 3 levels: Administrator, Operator, Media user
Security	IP address filter, HTTPS, Illegal login lock, IEEE 802.1x
Web Viewer	<IE11, Chrome, Firefox, Microsoft Edge
<b>Interface</b>	
Network Interface	1 Ethernet (10/100 Base-T) RJ-45 Connector
Fiber Optical	-K: 1 single module fiber interface
SD Card Slot	Built-in, up to 256GB
Reset Button	Support
<b>General</b>	
Language	English, Chinese, Traditional Chinese, Polish, Italian, Portuguese, Spanish, Russian, French, Czech, Hungarian, Japanese, Korean. Default: English
Power Supply	100 to 240VAC
Power Consumption	Less than 15W
Operating Temperature	-20°C to 60°C (-4°F to 140 °F)
Operating Humidity	Less than 90% RH
Ingress Protection	IP68
Certifications	CE-EMC - EN 55032, EN IEC 61000-6-3, EN IEC 61000-3-2, EN 61000-3-3, EN 55035, EN 50130-4) FCC 47 CFR Part 15 Subpart B ATEX: Ex II 2GD Ex db IIC T6 Gb /Ex tb IIIC T80°C Db; IECEX: Ex db IIC T6 Gb /Ex tb IIIC T80°C Db
Material	SUS316L
Dimensions	φ238 × 386 mm (φ9.37 × 15.2 inch)
Net Weight	15 Kg (33.07 lb)

# MoviSight

## Dimensions (mm)



## Accessories

### Optional:



Wall Bracket  
(standard)



Ceiling Bracket



MS-7SN-BK400-  
SS(P/F/D) Junction  
Box



MS-7SN-CPL10A-SS  
Washing Tank



Flexible Tube